

NAME: 501221413 OBJECT: 2T\_CAPACITOR\_ASM DATE: 31-Jul-07 11:30:55

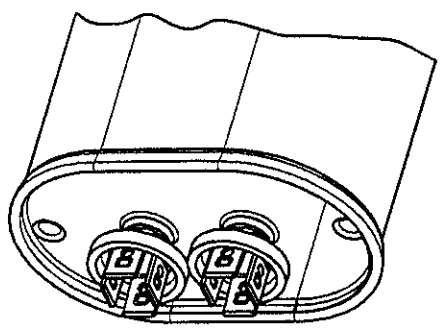
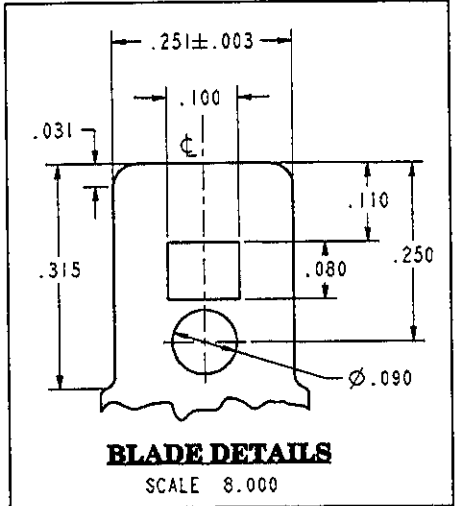
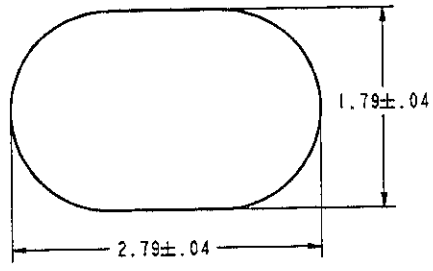
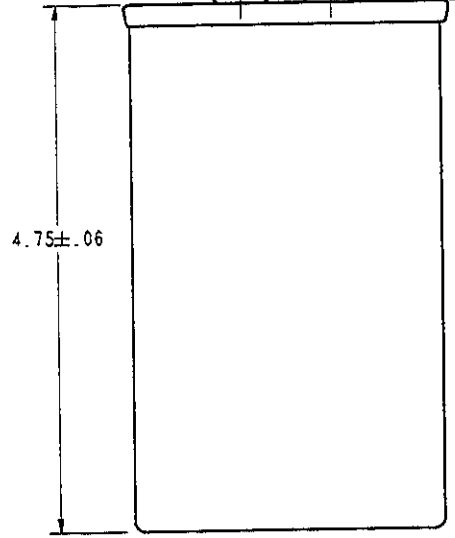
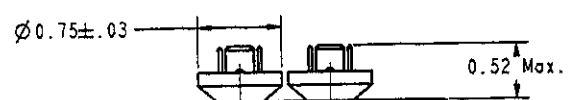
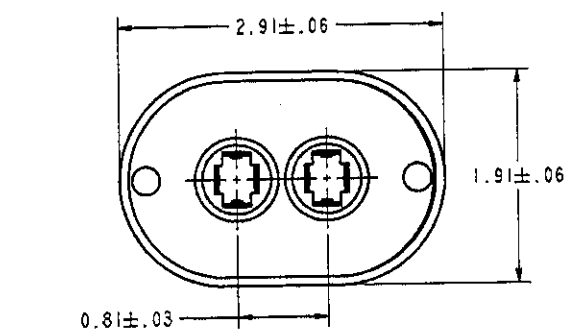
14 | | 13

12

REV. 0 SHEET 1  
 27L5580

**RSC PROPRIETARY AND CONFIDENTIAL INFORMATION**  
 This document is the property of REGAL BELGIC CORPORATION ("RBC") including its subsidiaries and divisions and contains proprietary information of RBC. This document is based on the current condition that shall be the only information containing changes shall be disclosed to others without the express or implied consent of RBC, and the information shall be used only for the purpose for which it was prepared by RBC. This document shall be returned to RBC upon its disposal. This document may be subject to certain restrictions under the export control laws and regulations.

REV.	DESCRIPTION	DATE	APPROVED

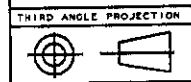


SCALE 1.500

**SPECIFICATIONS:**

"GEM-III Capacitors are manufactured with High Grade Metallized Polypropylene Film"

Main Capacitance	: 45.00µF ±6%
Secondary Capacitance	: NIL
Volts	: 440AC
Leakage Current	: 30µA Max.
Frequency	: 50/60 HZ
Operating Temperature	: -40 DEG C TO 70 DEG C
Storage Temperature	: -40 DEG C TO 90 DEG C
Operative Life	: 60,000 HRS WITH 94% SURVIVAL
Dissipation Factor	: 0.1% MAX.
Case Material	: ALUMINIUM
Cover Material	: ALUMINIUM
Terminals	: 0.250"x0.031" Quick Connect Blades
Dielectric Fluid	: DIELEKTROL VI
Internal Protection	: UL RECOGNIZED PRESSURE SENSITIVE INTERRUPTER



14 | | 13

12

FOR ADDITIONAL INFO REFER TO:	SIGNATURES	DATE	 REGAL-BELGIC CORPORATION
APPLIED PRACTICES	MODEL	APL 07/31/07	
UNLESS OTHERWISE SPECIFIED DIMENSIONS ARE IN INCHES	DETAIL	APL 07/31/07	
TOLERANCE ON:	CHECKED	RW 07/31/07	
1 PL DECIMALS ± 0.1	ENGR		
2 PL DECIMALS ± 0.01	WFG		
3 PL DECIMALS ± 0.001	QUALITY		
ANGLES ± 0.5	ISSUED		
FRACTIONS ±			
FINISH			
MATERIAL	SOLID MODEL: 2TCAPACITOR_ASM	SCALE: 1.250	REF. No: .

TITLE

**GEM III CAPACITOR  
 OUTLINE DRAWING**

SIZE: C DRAWING: 27L5580 REV: 0

SHEET 1 OF 1